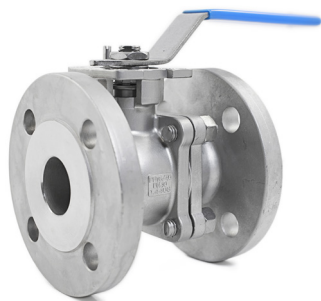


KULEVENTIL

TYPE F-222, DN 15 - 100



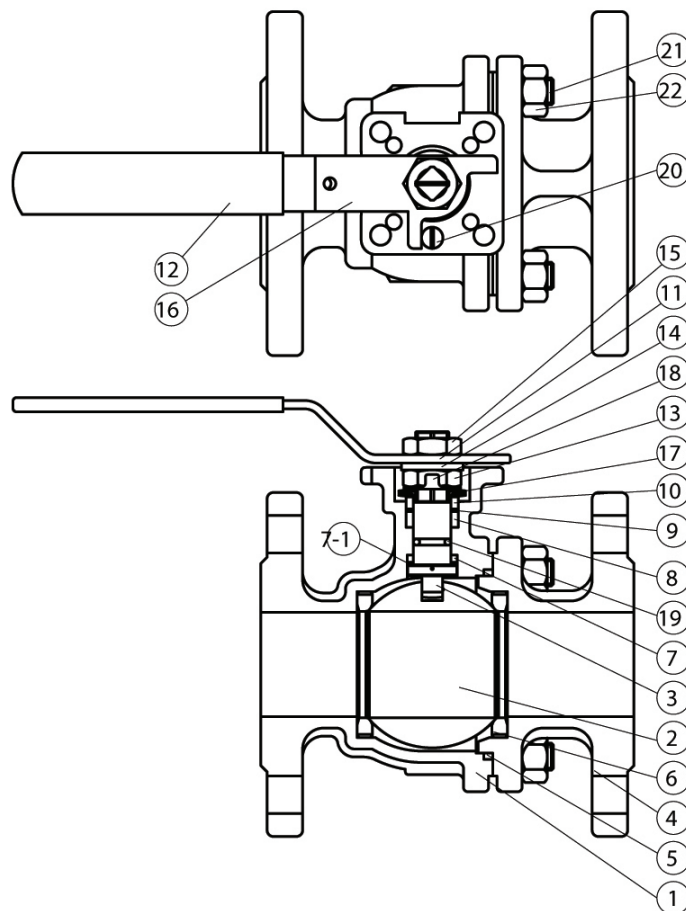
Kuleventil type F-222 benyttes i all type industri, for avstenging av væsker og gasser.

Den leveres med spak, gir eller aktuator. (Pneumatisk, elektrisk eller hydraulisk)

BAGGES AS kan bistå med valg og dimensjonering av ventil og aktuator. Alle ventiler er trykktestet før de forlater fabrikk.

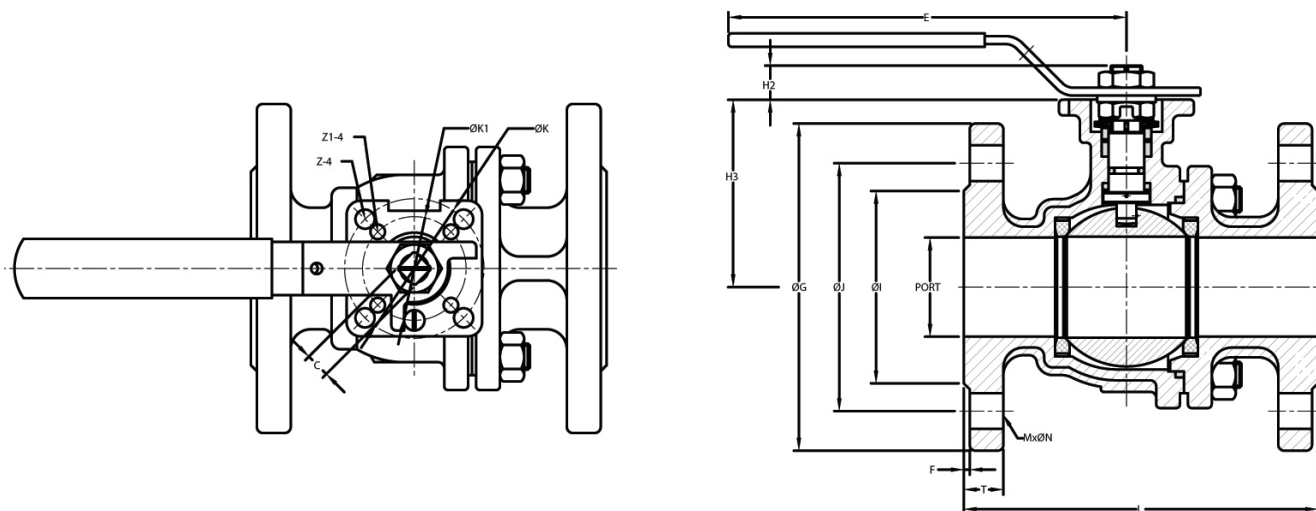
- Ventilen er "fire safe" i henhold til API 607, versjon 5 2005.
- Ventilen leveres med flenser og er 2-delt
- Trykklasse PN 10-16
- Fullt løp, DIN3202 F4
- Toppflens etter ISO 5211

POS	Forklaring	Materiale
1	Hus	Syrefast stål 1.4408
2	Kule	Syrefast stål CF8M
3	Spindel	Syrefast stål 1.4408
4	Endestykke	EN1503-1 1.4408
5	Tetning	Grafit
6	Sete	R-PTFE
7	Skive	Grafit
7-1	Skive	R-PTFE
8	Spindel tetning	Grafit
9	Skive	R-PTFE
10	Gland	Rustfritt stål SS.304
11	Spak	Rustfritt stål SS.304
12	Plastbeskyttelse	PVC
13	Mutter	Rustfritt stål SS.304
14	Skive	Rustfritt stål SS.304
15	Mutter	Rustfritt stål SS.304
16	Håndtak	Rustfritt stål SS.304
17	Skive	Rustfritt stål SS.304
18	Skive	Rustfritt stål SS.304
19	O-ring	VITON
20	Stopp pinne	Rustfritt stål SS.304
21	Gjenge stud	ASTM A193 Gr.B8
22	Mutter	ASTM A193 Gr.B



KULEVENTIL

TYPE F-222, DN 15 - 100



DN	mm	15	20	25	32	40	50	65	80	100
	Inch	½"	¾"	1"	1-¼"	1-½"	2"	2-½"	3"	4"
PORT		15,0	20,0	25,0	32,0	38,0	50,0	65,0	76,0	100,0
L		115,0	120,0	125,0	130,0	140,0	150,0	170,0	180,0	190,0
E		112,0	112,0	136,0	185,0	198,0	198,0	265,0	265,0	325,0
H2		8,5	8,5	11,4	11,4	14,0	13,7	18,0	18,0	18,0
H3		48,0	62,0	64,0	71,0	76,0	84,5	106,8	116,0	154,5
C		9,0	9,0	11,0	11,0	14,0	14,0	17,0	17,0	17,0
G		95,0	105,0	115,0	140,0	150,0	165,0	185,0	200,0	220,0
J		65,0	75,0	85,0	100,0	110,0	125,0	145,0	160,0	180,0
I		45,0	58,0	68,0	78,0	88,0	102,0	122,0	138,0	158,0
T		16,0	18,0	18,0	18,0	18,0	20,0	18,0	20,0	20,0
F		2,0	2,0	2,0	2,0	2,0	2,0	2,0	2,0	2,0
M+N		4 +14,0	4 +14,0	4 +14,0	4 +18,0	4 +18,0	4 +18,0	4 +18,0	8 + 18,0	8 + 18,0
K		F05	F05	F05	F05	F07	F07	F10	F10	F10
K1		F03	F03	F03	F03	F05	F05	F07	F07	F07
Z-4		7,0	7,0	7,0	7,0	9,0	9,0	11,0	11,0	11,0
Z1-4		6,0	6,0	6,0	6,0	7,0	7,0	9,0	9,0	9,0

Overnevnte informasjon er etter vår kunnskap korrekt, men vi forbeholder oss retten til endringer uten nærmere varsel.